




Strength Matters



EXXENTRIC

Product Catalog 2024

A young man with light brown hair, wearing a red t-shirt, is shown in profile, smiling and looking down. He is in a factory or industrial setting, with a large, blurred wheel or gear in the foreground on the left. The background is dark and out of focus, showing some industrial equipment.

Exxentric
Product Catalog

Medevice Healthtech Pvt. Lmt.

t: +91 7588134567

e: info@medevice.co

Welcome to Exxentric

Exxentric believes in building devices that enable people to become stronger and have the strength they desire.

We innovate in order to provide effective tools and methods which allow people to succeed when it matters.

**Because strength matters,
in all parts of life.**

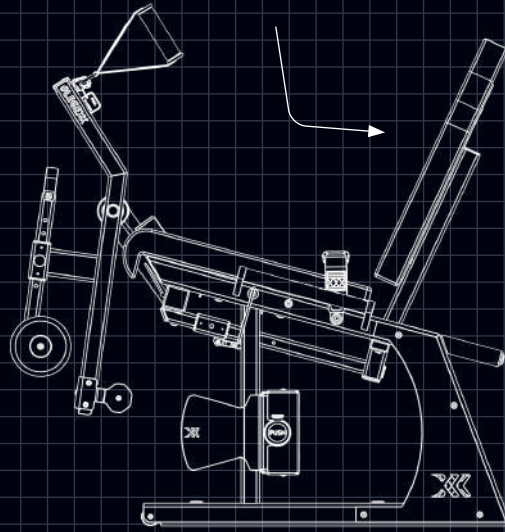
**MEDEVICE
HEALTHTECH**



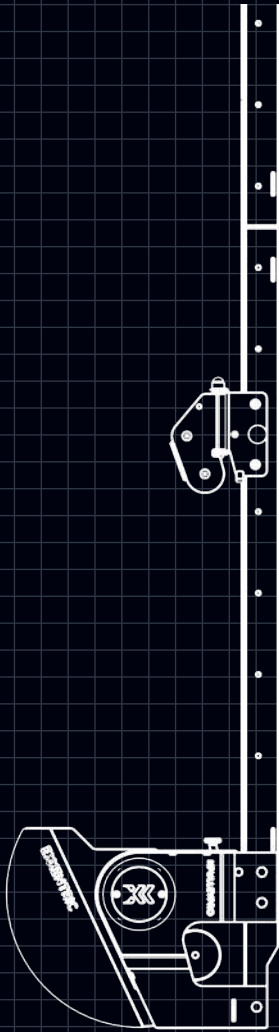
TRUST | TECHNOLOGY | INNOVATION



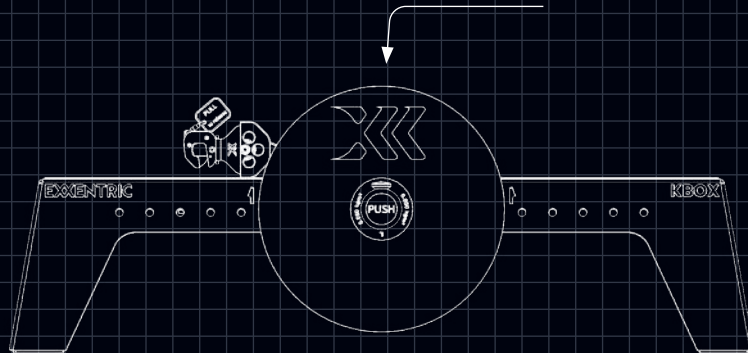
LEGEXX



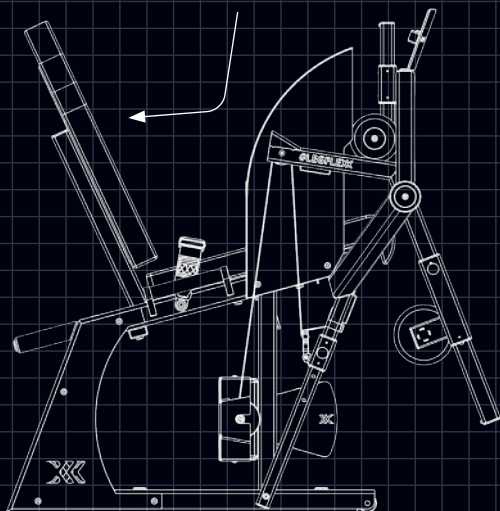
KPULLEY



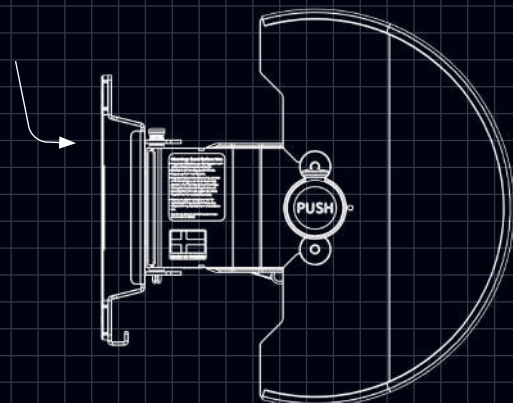
KBOX



LEGFLEXX



KPULLEY GO





EXXENTRIC

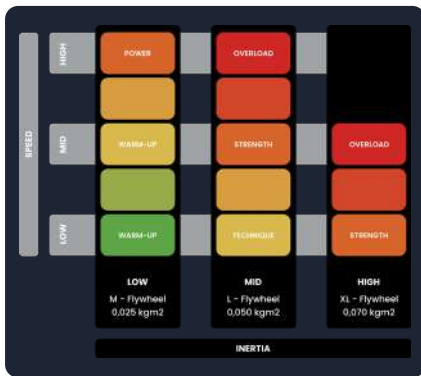
#KBO

Flywheel Technology

Exxentric integrates flywheel technology in its devices as flywheel training offers many advantages over traditional strength training, especially in variable resistance.

There is no upper limit to how much kinetic energy you can generate with flywheel training. This means that you can always use a higher force and accelerate the flywheel more. Resistance is variable such that if you pull less, the flywheel will resist less.

Training



- Warm-up** Low Intensity and Low to Mid Inertia
- Power** Max Intensity at Low Inertia
- Technique** Mid Inertia at Low Intensity
- Strength** Mid to High Intensity at Mid to High Inertia
- Higher Inertia** More Eccentric Overload

Benefits

Whether your goal is to improve athletic performance, prevent or rehabilitate an injury, or improve your general health and fitness, Exxentric training devices offer a number of important advantages.

Performance

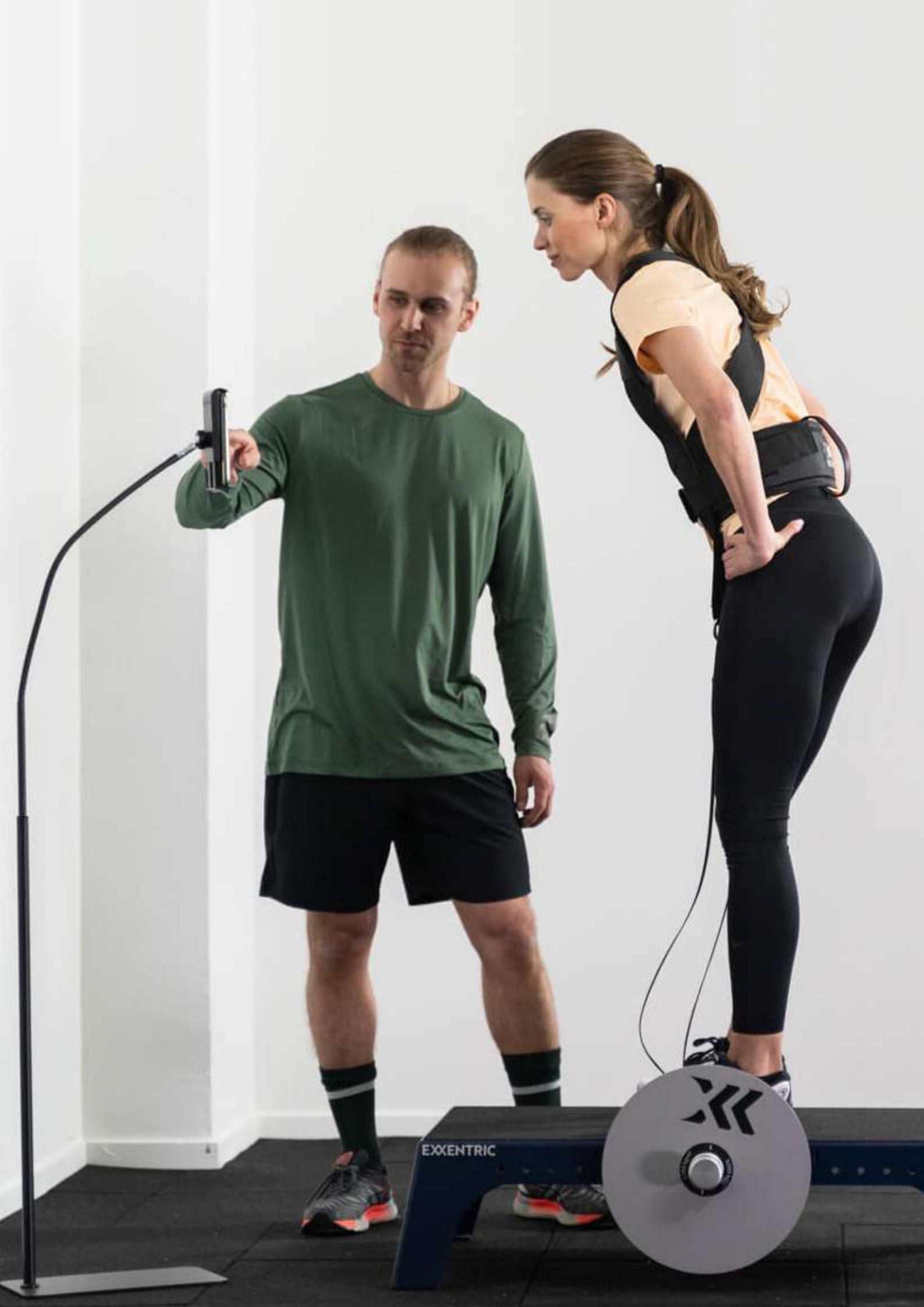
- Eccentric Overload
- Hypertrophy
- Variable Resistance
- Consistent Resistance
- Injury Prevention
- Strength & Conditioning

Rehabilitation

- Eccentric Overload
- Variable Resistance
- Consistent Resistance
- Overuse Injury Rehab
- Acute Injury Rehab
- Return-to-Play Rehab

General Fitness

- Variable Resistance
- Consistent Resistance
- Strength Training
- Cardio Training
- Mobility Training
- Power Training





kMeter System

We believe in helping build your strength over time. Our products are designed with an in-built feedback system to help you see your progress and set future goals.

Monitor Performance and Progression

The Exxentric kMeter is our wireless science-based feedback system for flywheel training. The kMeter comes built-in with all LegExx, LegFlexx, kPulley2, kBox Pro and kBox Lite devices since May 2018. It is also available for purchase as an add-on to the kBox Active.

Our App

The Exxentric Application is available on the Apple App Store and the Google Play Store. Scan the QR code or just search in the store for Exxentric. The App allows you to track your workouts in combination with the kMeter and features a variety of workouts to follow along at home.

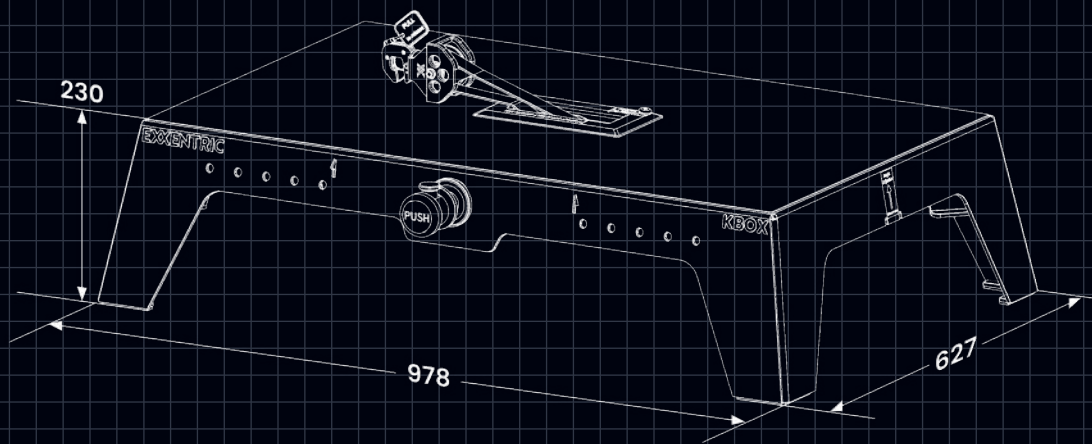




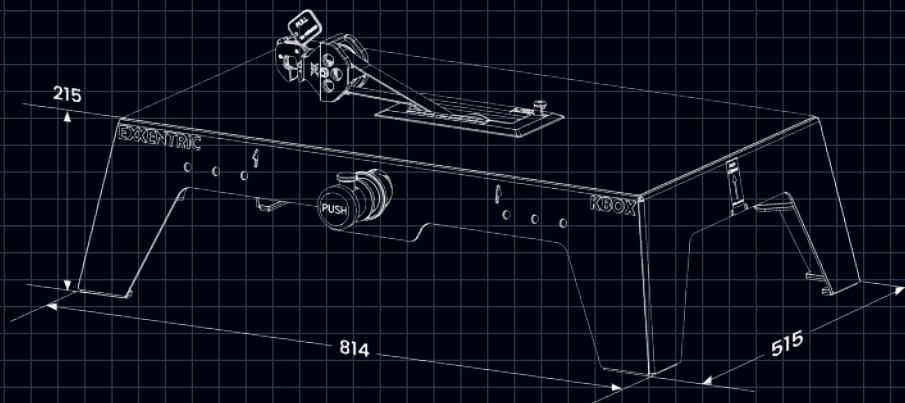
kBox

The kBox is a series of premium devices for flywheel training, based on sound scientific support

KBOX PRO



KBOX LITE/ ACTIVE



All dimensions in millimeters



ACTIVE

Color  CARBON BLACK



kBox Active

Kickstart your Flywheel Training with our entry-level kBox model, the kBox Active. The perfect device for strength training, rehabilitation, injury prevention, and training in general. Can be used together with the Excentric App for access to a variety of workouts.

Ideal for:

- Home Gyms
- Personal Trainers
- Group Classes

Systems

The kBox Active systems pair our robust entry-level device with essential training accessories such as the kGrips or the Hip-Belt for squats. These systems are ideal for home training, amateur athletes or group classes.





Benefits

- Practical, Safe and Easy to Use
- Effective for Building Strength
- Space Efficient - Easy to Store
- Quick changes between users
- All-in-One Gym

Main Features

- Steel Chassis
- Auto-Retract Drive Belt
- Variable and Unlimited Resistance
- Quick Change Flywheel



Colors



JET BLACK



MIDNIGHT BLUE



kBox Lite

Broader range of resistance provided by the lightest kBox model, practical to pack and bring with you on the move. It's built-in kMeter feedback system allows you to monitor your progress in real-time.

Ideal for:

- Travelling Athletes
- Fitness Studios
- Physiotherapy Clinics

Systems

The kBox Lite systems combine our most portable kBox with all the accessories you need for pro-level training indoors and outdoors. These systems are perfect for personal trainers, training facilities or athletes seeking maximum flexibility.





Benefits

- Lightweight
- Practical, Safe and Easy to Use
- Effective in Building Strength and Mass
- Space Efficient - Easy to Store
- Quick changes between users
- All-in-One Gym

Main Features

- Aluminum Chassis
- kMeter Feedback System
- Auto-Retract Drive Belt
- Variable and Unlimited Resistance
- Quick Change Flywheel

PRO

Colors



JET BLACK



MIDNIGHT BLUE



kBox Pro

The premium and best-selling kBox model with the largest performance area. Made for intense workouts and serious strength-building exercises. Its built-in kMeter feedback system allows you to monitor your progress in real-time.

Ideal for:

- Professional Teams
- Performance Centers
- Physiotherapy Clinics

Systems

The kBox Pro systems are optimized towards professionals and combine our largest platform with a variety of accessories to maximize training versatility and intensity. These systems are ideal for professional athletes, coaches and physiotherapists.





Benefits

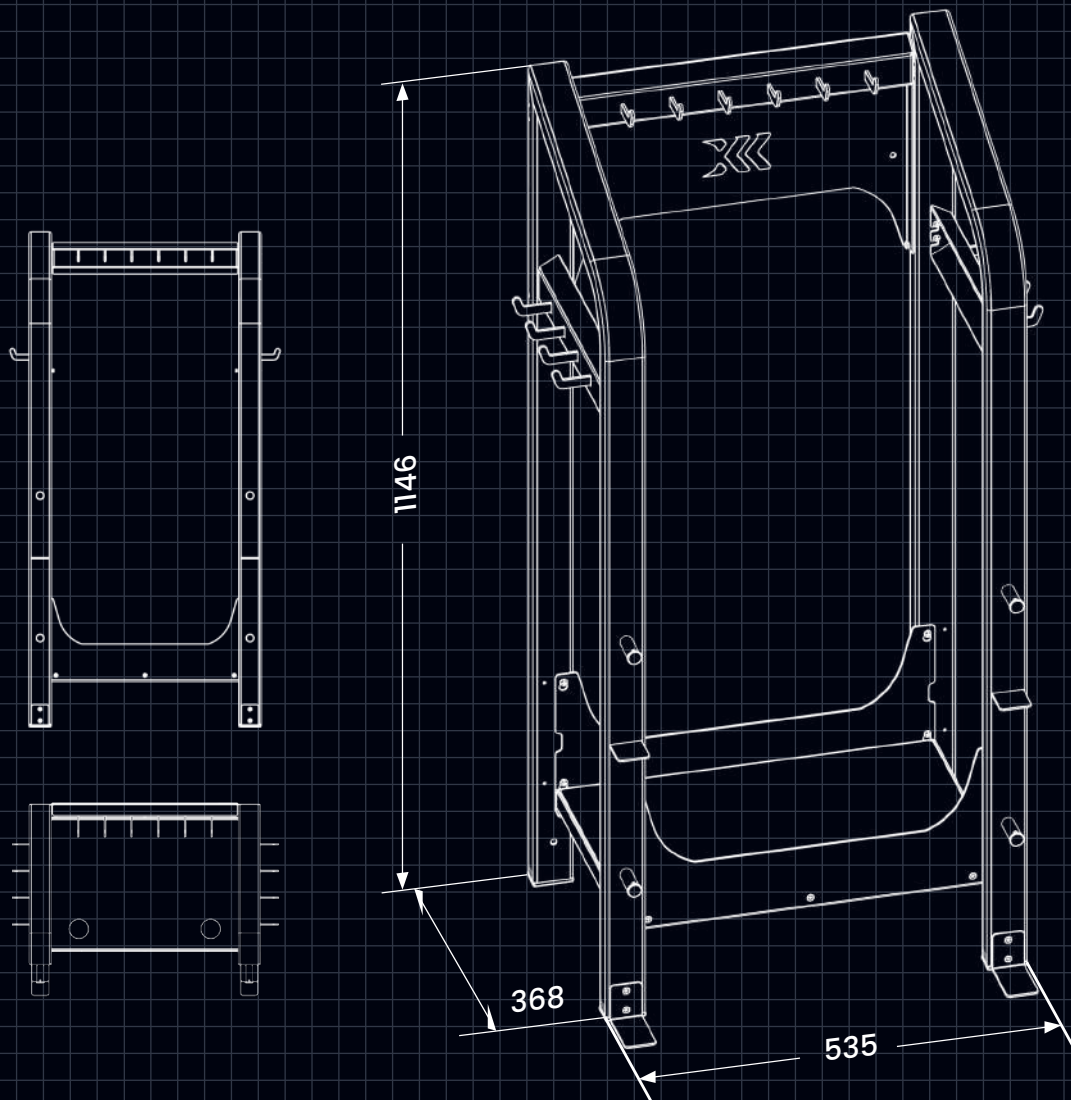
- Practical, Safe and Easy to Use
- Effective in Building Strength and Mass
- Space Efficient - Easy to Store
- Quick changes between users
- All-in-One Gym

Main Features

- Aluminum Chassis
- Larger Platform
- kMeter Feedback System
- Auto-Retract Drive Belt
- Variable and Unlimited Resistance
- Quick Change Flywheel

Accessories and Storage

Exentric's line of equipment for flywheel training includes a complete range of custom-made accessories





Selection of Accessories



Flywheels

0.005, 0.010, 0.025, 0.050
and 0.070 kgm²



Ankle Cuffs

Small-Medium,
Medium-Large



kBar

Original (up to 200kg/440lbs)
Knurled (up to 400kg/880lbs)



Harness

XXS, XS, S, M, L, XL, XXL



Decline Board

Can be used for Calf Raises
or elevated Squats



kGrips

One-size, also available
as Angles 90



Foot Block

For training change of direction
and lateral movements



Advanced Flywheel knob

Allows for the addition
of two more Flywheels



Upper Body Kit

Unlocks Upper Body & Chest
exercises on the kPulley



Hip Belt

Small-Medium,
Medium-Large



Accessories

Our accessories are custom-made for Flywheel Training and can be attached to or stacked on top of your Flywheel Training device to maximize your training versatility. Both individually or collectively they can accommodate a multitude of upper and lower body exercises. Furthermore, we provide replacement components as well.

Selection of Storage & Display

Accessory Racks

One Accessory Rack, or a combination of them, will provide Flywheel Training System owners with an ideal and effective storage solution that is customized to their particular setup.



kPulley Beam

While the kPulley2 already includes a compatible beam option, users might want to add a second one for versatility. Also compatible with the kPulley Go.



kPulley Go Beam Adapter

This component connects the kPulley Go Device to any of our Beams.



Cover Mat

The kBox Cover Mat is excellent for preventing unwanted wear on the surface of your kBox. Available for all kBox models.



Flywheel Bag

The Exxentric Flywheel Bag is essential for any kBox user who refuses to limit their training when traveling.



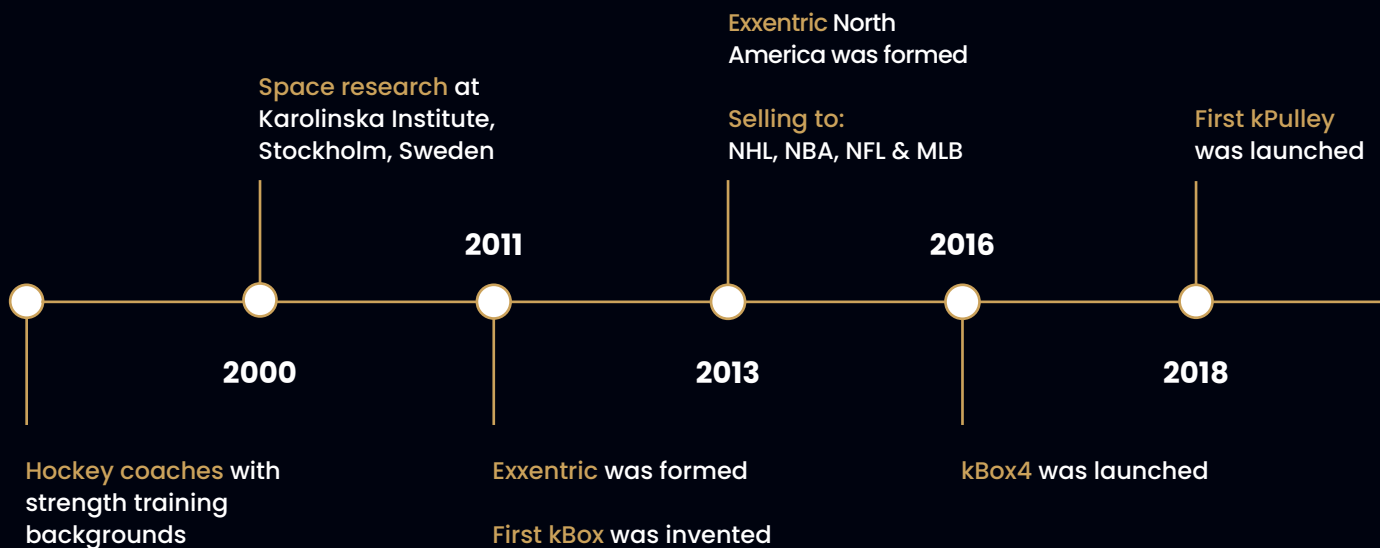


Storage & Display

Our storage & display accessories are specifically designed to hold your Flywheel Training equipment and make your training more convenient. The storage & display range is perfect to complement your flywheel training with a tidy and organized look. This selection of accessories enables you to seamlessly integrate your Flywheel Training setup into your training space.

Our Story

Since its foundation in 2011, Exxentric has exponentially grown its partner network and continues to provide strength training devices in **70+ countries** worldwide.





100K Followers
70 Countries
40 Sales Partners
30 Employees
6 Continents

2020



LegExx was launched



2021

kPulley Go was launched

10 Year Anniversary



2022

LegFlexx was launched

2023

Gen 5 kBox was launched



2024

kPulley Pro was launched



Made in Sweden

Founded in 2011 in Stockholm, Sweden, Exxentric is now the leading Flywheel Training company in the world.

Scandinavian Design Approach

Exxentric embodies Scandinavian Design, focusing on simplicity and functionality within the whole product family.

Unique Design

Exxentric products stand out among the crowd. The Exxentric design language is unlike any of our competitors.

Environmentally Friendly

Sweden is known for its sustainability and low carbon dioxide emissions. Exxentric is no exception to this as we constantly look to improve on our environmental impact and carbon footprint.

Guaranteed Exxentric Quality

Exxentric produces high quality products designed for durability and ease of maintenance. **All Exxentric products come with an exclusive 2-year warranty.**





Sustainability

At Exxentric, we believe in engineering our products with consideration to our impact on the environment.

Environmental and Social Sustainability

At Exxentric we promote an active and healthy lifestyle and are constantly striving to positively impact well-being in our society through our products and continuous research endeavors.

The product lifetime and repairability of our devices is well above industry standard and paired with a 90% recyclability reduces our environmental impact and carbon footprint.

Carbon Footprint Comparison

Our flywheel technology emits less CO² in comparison to traditional training equipment.

1 Half Rack paired with 150kg weights is equivalent to 7.7 kBox Pros and 23.1 Large Flywheels

Refurbished Devices

Our Refurbished Devices scheme provides a more affordable option for you while reusing older models of our kBox and kPulley devices.

Exxentric Academy

Start Here



The Home of Exxentric's Online Courses

Members of the academy gain access to:

- Free webinars and tutorials
- Complete online certification courses (Level I and Level II)
- Flywheel User Courses
- Training Programs
- Lectures
- And much more!

Some courses are also available in Swedish



Course Offering

Read more about our courses
exxentric.com/courses/

Sign up for courses
academy.exxentric.com/

Check out our calendar upcoming events
<https://exxentric.com/calendar/>

Support

Our team of professionals are always available to help. We provide an excellent support line for all our customers to help them with their manuals, maintenance of their devices and general customer service.



[/go_exxentric](#)



[/go_exxentric](#)



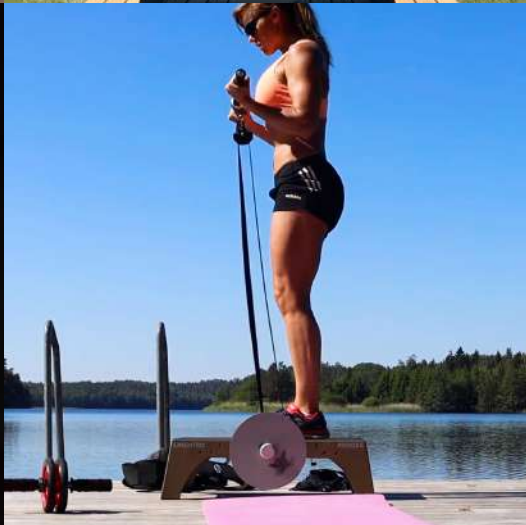
[/go.exxentric](#)



[/exxentric](#)

#ExxentricFam

We are Stronger Together



**MEDEVICE
HEALTHTECH**



TRUST | TECHNOLOGY | INNOVATION

